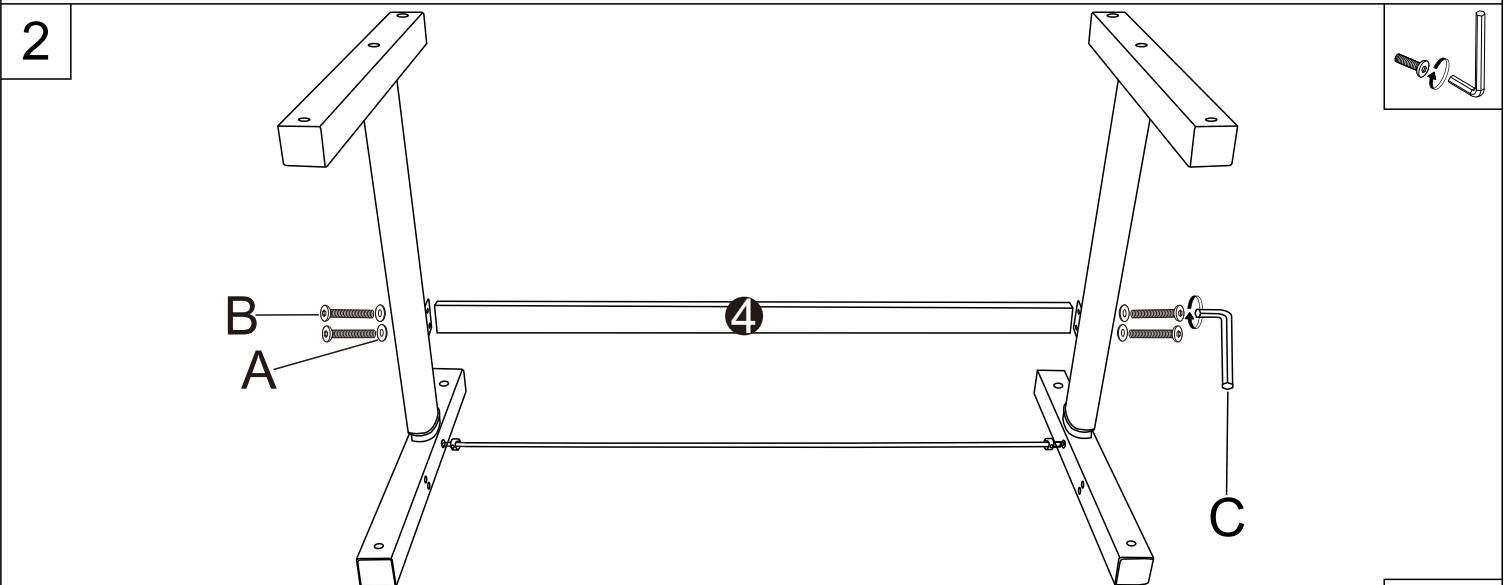
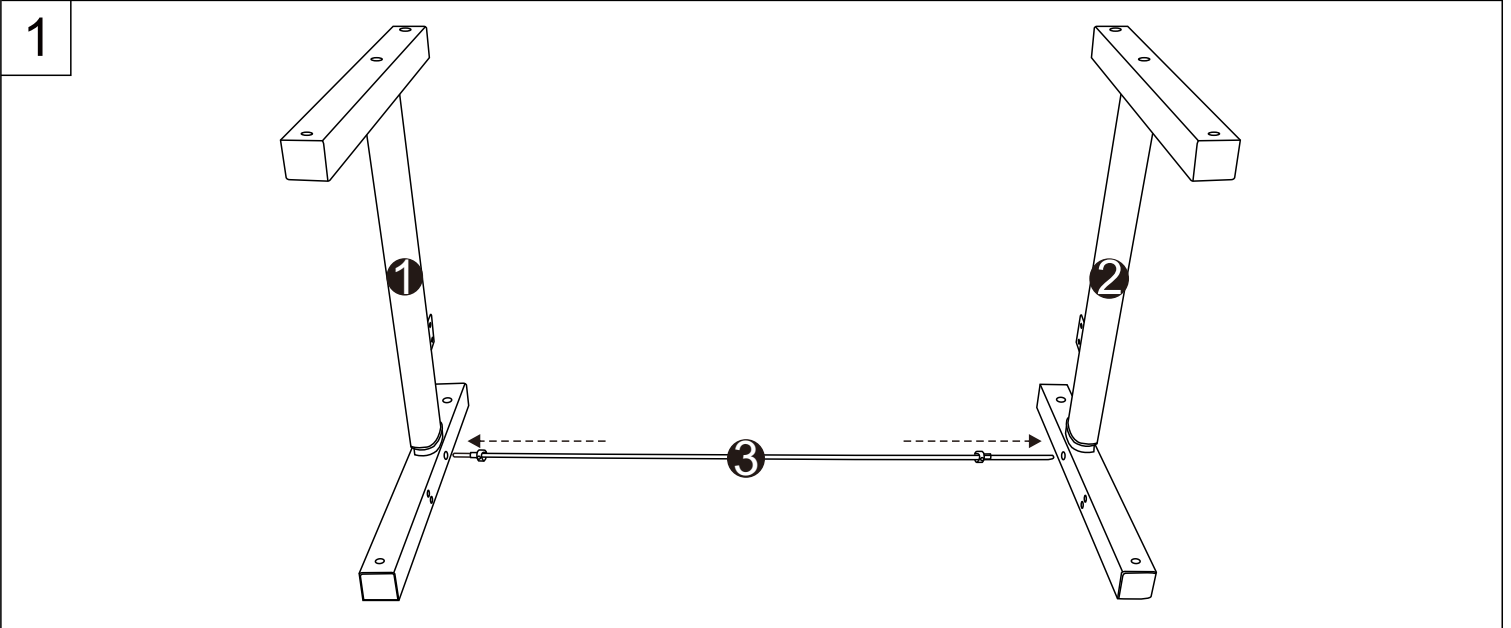


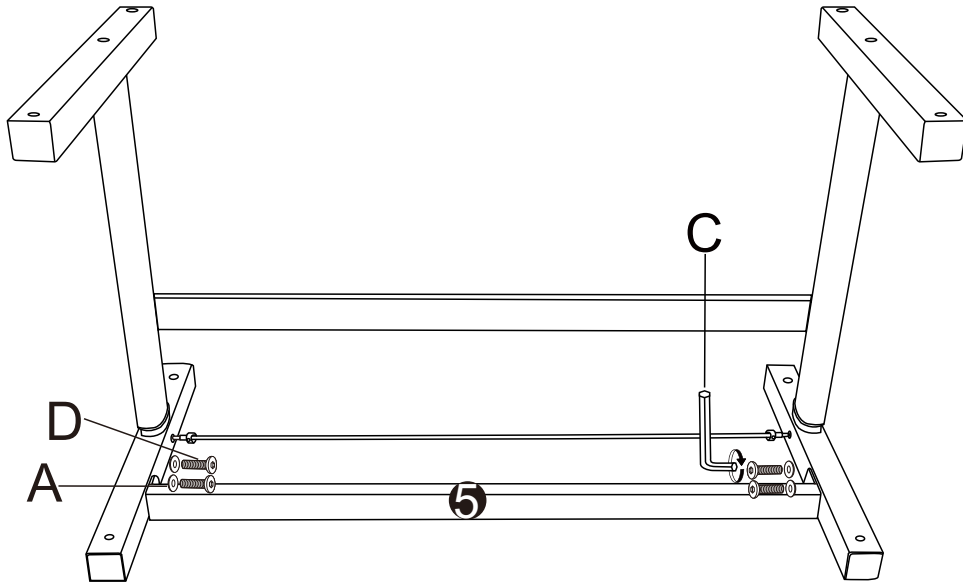
SIMULATOR(CN-1928)

<b>A</b>  (M8x14mm)x8	<b>B</b>  (M8x45mm)x4	<b>C</b>  (M5)x1	<b>D</b>  (M8x16mm)x4	<b>E</b>  (M6x14mm)x8
<b>F</b>  (M6x65mm)x4	<b>G</b>  (M8x38mm)x4	<b>H</b>  (M6x16mm)x4		
<b>1</b>  x1	<b>2</b>  x1	<b>3</b>  x1		

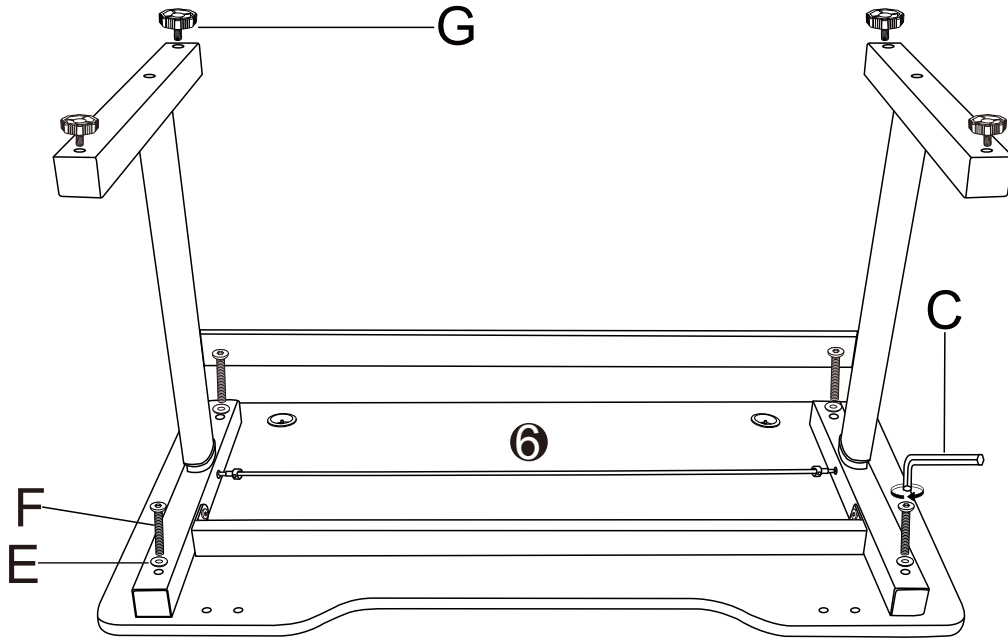
<b>4</b>  x1	<b>5</b>  x1	<b>6</b>  x1	<b>7</b>  x1	<b>8</b>  x1	<b>9</b>  x1	<b>10</b>  x2
--------------------	--------------------	--------------------	--------------------	--------------------	--------------------	---------------------



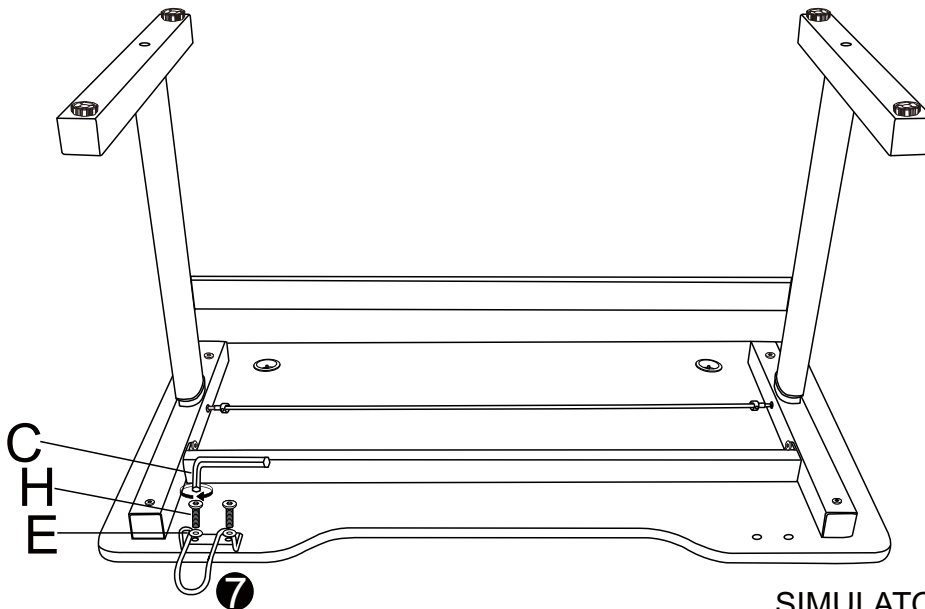
3



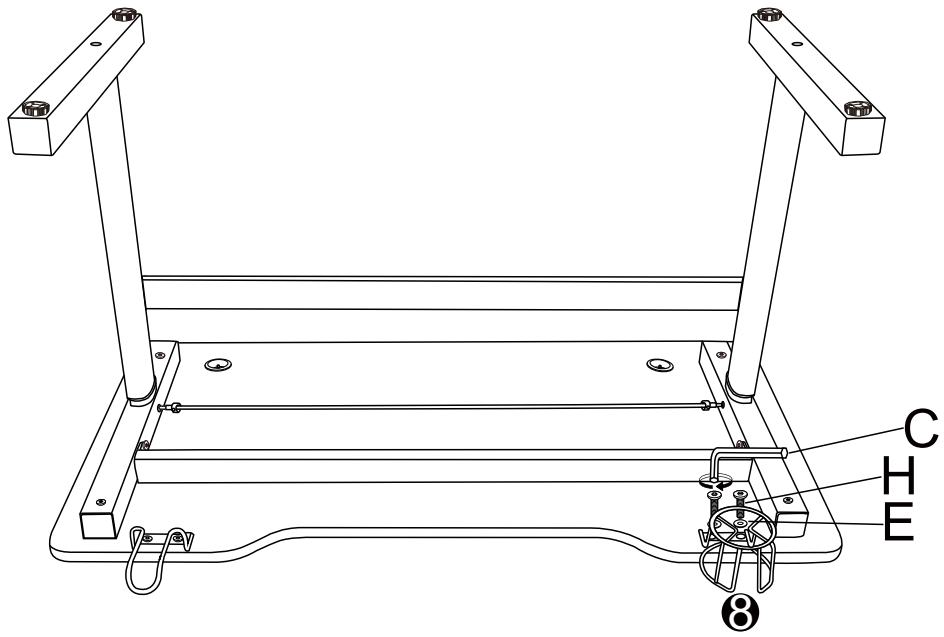
4



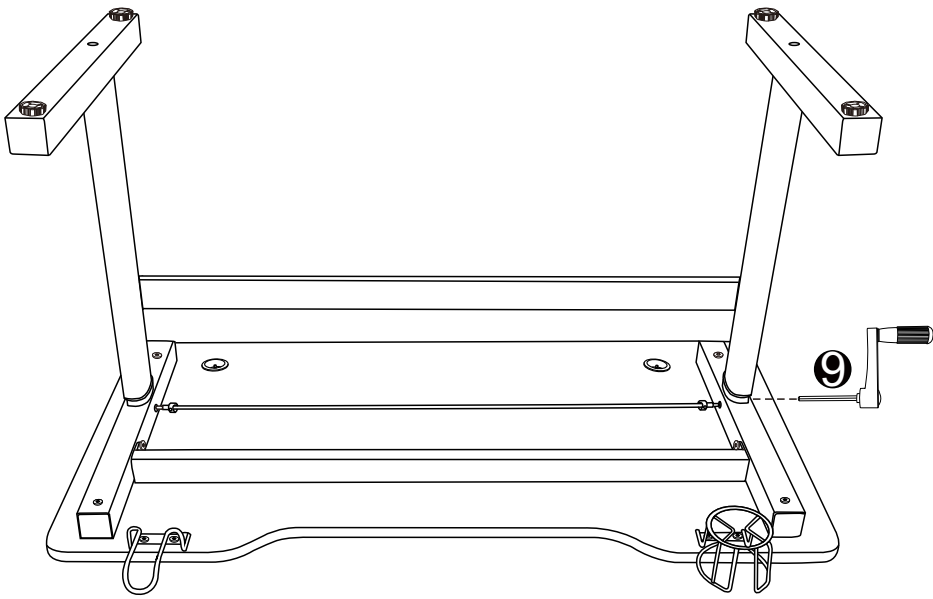
5



6



7



8

